

North American Standard Products

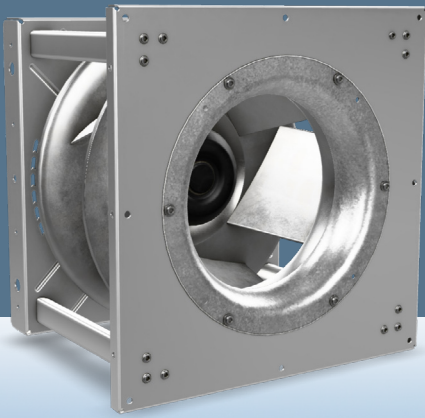
Local for local supply chain.

ebmpapst

engineering a better life

ebm-papst North America

With over 500 employees and 427,000 sq. ft. under-roof in Connecticut and Tennessee, we've doubled our U.S. production of fans and motors. We are planning \$15M of product investments in '24/'25 to support your needs and our growth. This expansion enables ebm-papst North America to significantly improve our service to meet our diverse Air Conditioning, Data Center, Heating, Refrigeration, and Ventilation customers' needs.



Farmington, CT



Telford, TN



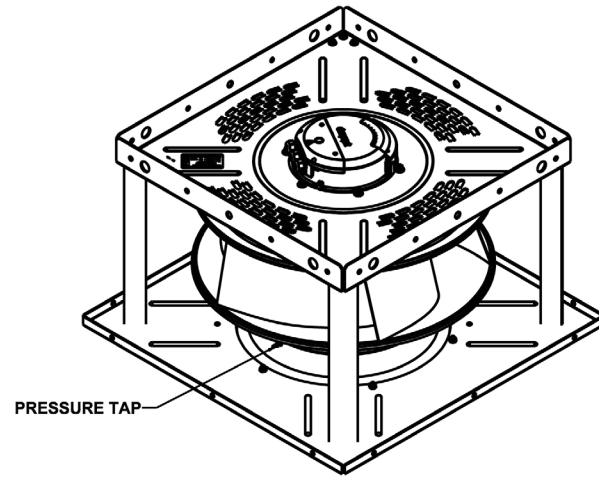
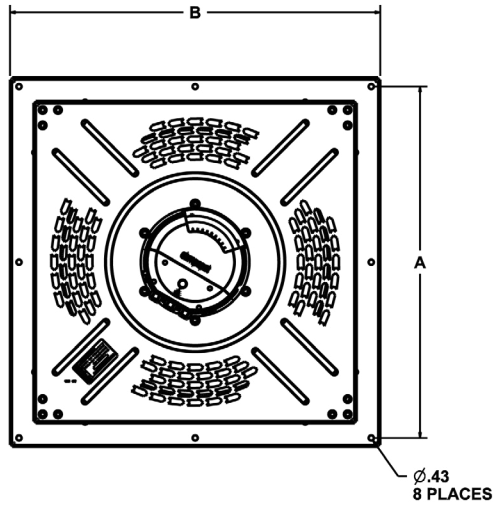
Nominal data

Part number	Replacement impeller	Power W	Speed RPM	Max air flow CFM	Max pressure in. wg	Nominal voltage VAC	Current draw A
EG1R480450A26	R3G450PA3103	4607	2240	6889	7.45	400-480	6.2
EG1R240450A26	R3G450PA2913	3924	2290	7130	6.45	200-240	10.4
EG1R480500A26	R3G500PB2403	4177	2000	8226	5.93	400-480	5.6
EG1R240500A26	R3G500PA3313	3911	1930	8085	5.59	200-240	10.4
EG1R480560A26	R3G560PB3103	4494	1675	10235	5.36	400-480	6.0
EG1R240560A26	R3G560PB3713	3802	1585	9241	4.68	200-240	10.1

Part number	Fan Weight (lbs.)	Fan Weight (Kg)	Fan Dimensions (LxWxH in.)	Fan Dimensions (LxWxH mm)	Fans Per Pallet	Total Pallet weight (lbs.)	Total Pallet weight (Kg)	Pallet Dimension (LxWxH in.)	Pallet Dimension (LxWxH mm)
EG1R480450A26	99	218	24.8x24.8x17.66	630x630x450	3	297	654	32x32x57.98	813x813x1473
EG1R240450A26	97	214	24.8x24.8x17.66	630x630x450	3	291	642	32x32x57.98	813x813x1473
EG1R480500A26	110	243	24.8x24.8x19.46	630x630x500	3	330	729	32x32x63.38	813x813x1610
EG1R240500A26	110	243	24.8x24.8x19.46	630x630x500	3	330	729	32x32x63.38	813x813x1610
EG1R480560A26	140	309	31.5x31.5x20.1	630x630x510	3	420	927	36x36x65.30	915x915x1659
EG1R240560A26	140	309	31.5x31.5x20.1	630x630x510	3	420	927	36x36x65.30	915x915x1659

*Assembled in America

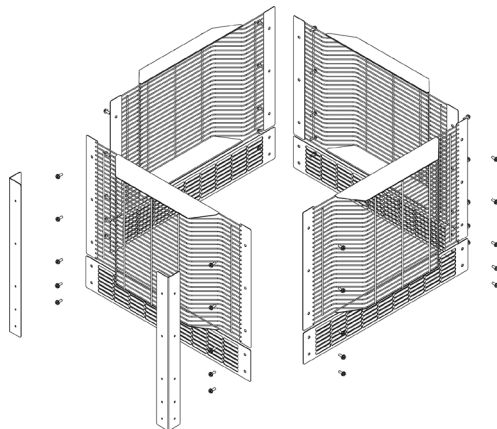
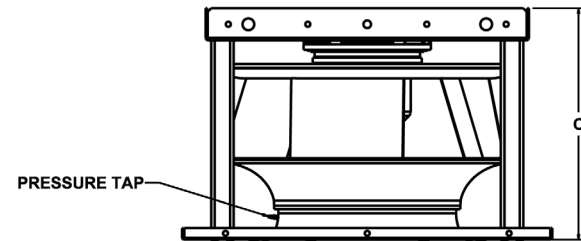
Table data and chart information subject to change. Please connect with your local applications engineer for additional details and full product / operation instructions.



Centrifugal Dimensions

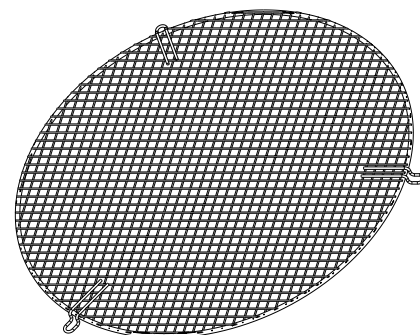
Part number	A□	B□	C
EG1R480450A26	22.83	24.8	17.7
EG1R480500A26	22.83	24.8	18.9
EG1R480560A26	29.53	31.5	20.3

Full product specifications available upon request.



Exhaust guard kit

Part number	Size
HX0K-000-450-04	450
HX0K-000-500-04	500
HX0K-000-560-04	560



Intake guard

Part number	Size
79500-2-4039	450-500
79560-2-4039	560